



**PASCO Specialty & Mfg., Inc.**

P.O. Box 1667  
South Gate, CA 90280  
Phone (310) 537-7782  
Fax (800) 737-2726

7529 Perryman Court  
Curtis Bay, MD 21226  
Phone (410) 360-5010  
Fax (877) 377-6466

[www.pascospecialty.com](http://www.pascospecialty.com)

**TECHNICAL SPECIFICATION SUBMITTAL**

Job Name \_\_\_\_\_ Date \_\_\_\_\_

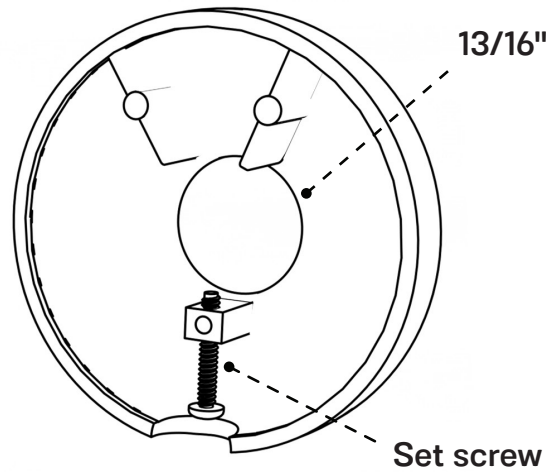
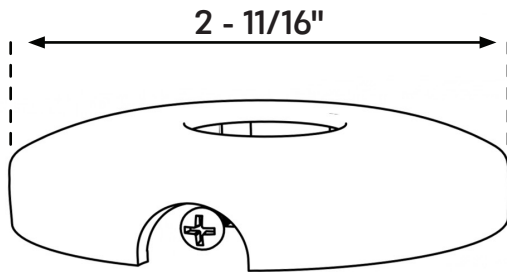
Model Specified \_\_\_\_\_ Quantity \_\_\_\_\_

Customer/Wholesaler \_\_\_\_\_

Contractor \_\_\_\_\_

Architect/Engineer \_\_\_\_\_

**CHROME PLATED DIECAST  
SHOWER FLANGE WITH SET SCREW  
#1187**



WARNING: Birth Defects, Reproductive Harm,  
and Cancer. [www.p65warnings.ca.gov](http://www.p65warnings.ca.gov).