



**PASCO Specialty & Mfg., Inc.**

P.O. Box 1667  
 South Gate, CA 90280  
 Phone (310) 537-7782  
 Fax (800) 737-2726

7529 Perryman Court  
 Curtis Bay, MD 21226  
 Phone (410) 360-5010  
 Fax (877) 377-6466

www.pascospecialty.com

**TECHNICAL SPECIFICATION SUBMITTAL**

Flexible couplings for sewer, drain, waste, vent with stainless steel worm gear clamps.

Job Name \_\_\_\_\_ Date \_\_\_\_\_

Model Specified \_\_\_\_\_ Quantity \_\_\_\_\_

Customer/Wholesaler \_\_\_\_\_

Contractor \_\_\_\_\_

Architect/Engineer \_\_\_\_\_

**Engineering Specification: PASCO Flexible couplings can be used in residential, commercial and agricultural applications to connect sewer, drain, waste and vent piping of different materials and sizes.**

# 3" x 2" Flexible Coupling for Pipe #5632

Transitions all types of DWV plastic, cooper, steel, cast iron

**Steel Pipe, Schedule 40, Copper Pipe,  
 Lead Pipe, Plastic Pipe**

- ABS/PVC, DWV (Schedule 40)
- ABS/PVC, Schedule 30 (Thin Wall)
- ABS/PVC, Styrene, sewer and drain ASTM 2729
- PVC Sewer and ASTM 3034 and SDR35
- PVC Sewer and ASTM 3033 and SDR41
- Maximum operating temperature: 168°F non-consistent
- Minimum operating temperature: -30°F

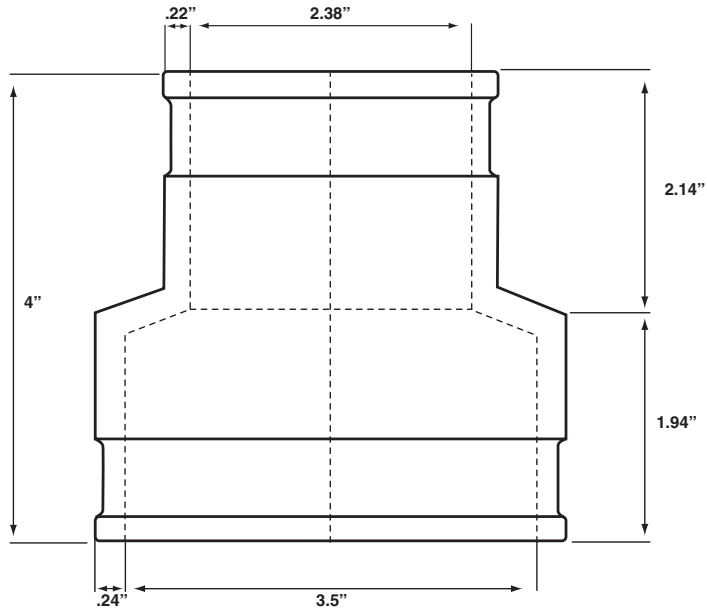
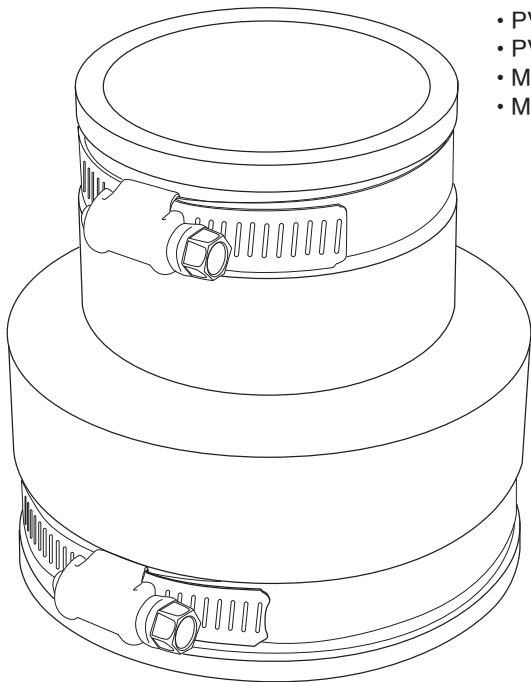
**Cast Iron Soil Pipe**

- Extra Heavy Soil (XH)
- Service Weight (SW)
- No Hub (NH)

**Complies with:**

- ASTM C1173-2002
- CSA B602-2005
- IAPMO 4933

- 300 series stainless steel clamps
- Flexibility - Sleeve is manufactured of molded natural and synthetic rubber
- Non domestic manufacture



**INDUSTRY EQUALS**

FERNCO	1056 series
MISSION RUBBER	MR56 series
JOINTS INC.	56 series
INDIANA SEAL	156 series
DALLAS SPECIALTY	56 series
NDS	56 series
PIPECONX	56 series



**WARNING: Birth Defects, Reproductive Harm,  
 and Cancer. www.p65warnings.ca.gov.**