



PASCO Specialty & Mfg., Inc.

P.O. Box 1667
South Gate, CA 90280
Phone (310) 537-7782
Fax (800) 737-2726

7529 Perryman Court
Curtis Bay, MD 21226
Phone (410) 360-5010
Fax (877) 377-6466

www.pascospecialty.com

TECHNICAL SPECIFICATION SUBMITTAL

Fiberglass Shower Stall Shower Arm Elbow

Job Name _____ Date _____

Model Specified _____ Quantity _____

Customer/Wholesaler _____

Contractor _____

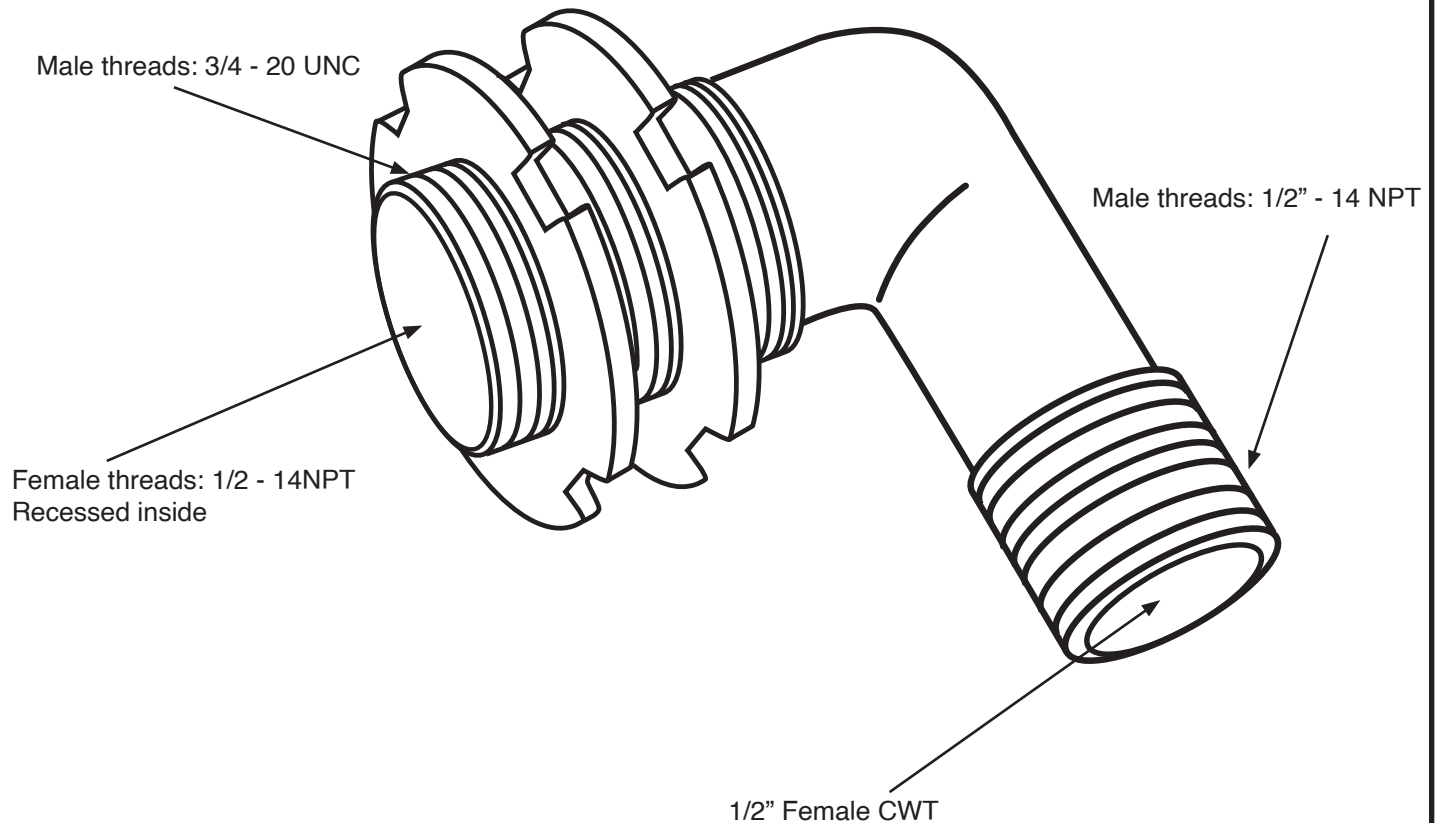
Architect/Engineer _____

Engineering Specification: Brass shower arm elbow with 1/2" FPT or CWT inlet and 1/2" FPT outlet. Supplied with synthetic washers and plated metal locknuts.

Fiberglass Shower Arm Ell #1195

- Locknuts secure ell to fiberglass wall
- Requires 1-1/32" hole through fiberglass
- Outlet end 1/2" FIP
- Inlet end 1/2" CWT or 1/2" MPT

This brass ell securely mounts a shower arm to a fiberglass shower stall. Also can be used to secure a tub spout nipple. Can be used with copper, iron pipe or compression fittings. Prevents movement of shower arm and tub spout.



WARNING: Birth Defects, Reproductive Harm, and Cancer. www.p65warnings.ca.gov