



PASCO Specialty & Mfg., Inc.

P.O. Box 1667
South Gate, CA 90280
Phone (310) 537-7782
Fax (800) 737-2726

7529 Perryman Court
Curtis Bay, MD 21226
Phone (410) 360-5010
Fax (877) 377-6466

www.pascospecialty.com

TECHNICAL SPECIFICATION SUBMITTAL

Push button self closing 180 degree slow close water valve.

Job Name _____ Date _____

Model Specified _____ Quantity _____

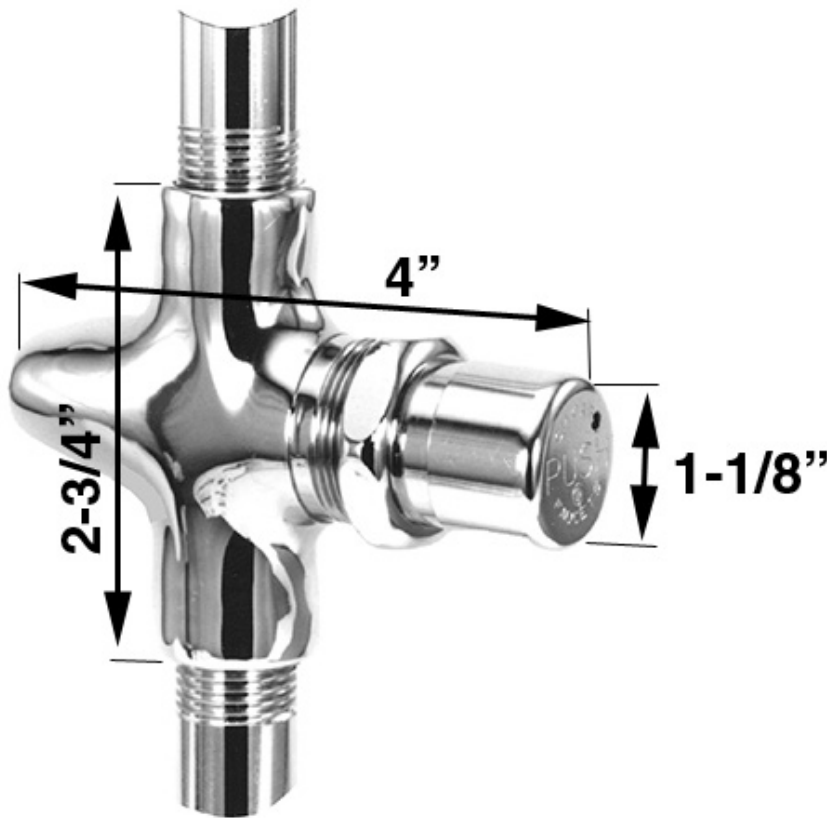
Customer/Wholesaler _____

Contractor _____

Architect/Engineer _____

Engineering Specification: Self-closing chrome plated brass 180 degree water valve with an adjustable slow close timing screw.

**Push Button Self - Closing
180 DEGREE VALVE
#21830**



- Chrome plated brass
- 1/2" FPT inlet and outlet valve only, no nipples
- Use 1/16" hex key to adjust slow close timing screw
- Adjusts closing time from 3 to 15 seconds
- 1/2" FIP x 1/2" FIP x 1/2" MPT

Please Note:

Use either #993 flush tube or #984 nut and fine thread flush tube to adapt the above valves into flush valves.



WARNING: Birth Defects, Reproductive Harm, and Cancer. www.p65warnings.ca.gov.