



PASCO Specialty & Mfg., Inc.

P.O. Box 1667
South Gate, CA 90280
Phone (310) 537-7782
Fax (800) 737-2726

7529 Perryman Court
Curtis Bay, MD 21226
Phone (410) 360-5010
Fax (877) 377-6466

www.pascospecialty.com

TECHNICAL SPECIFICATION SUBMITTAL

Dishwasher drain airgaps for use with domestic dishwashers connected to the kitchen sink drain or garbage disposer.

Job Name _____ Date _____

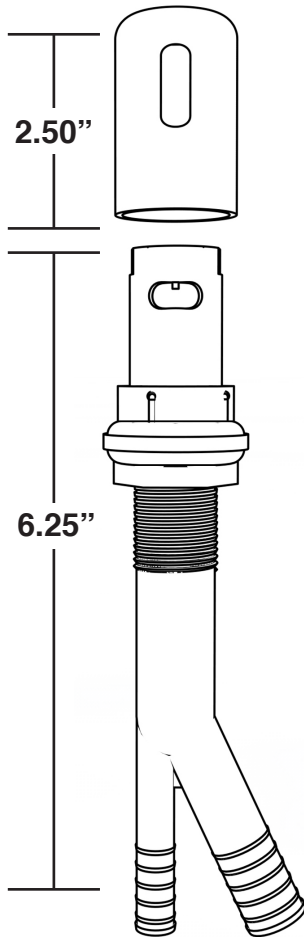
Model Specified _____ Quantity _____

Customer/Wholesaler _____

Contractor _____

Architect/Engineer _____

**DISHWASHER DRAIN HOSE AIRGAP
DOMESTIC USE ONLY**



- **White polypropylene body**
- **Chrome ABS top**
- **Barbed for 7/8" and 5/8" drain hose connection**
- **UPC listed**

PART NUMBER	DESCRIPTION
50710	Airgap only
50712*	With 7/8" x 24" code approved drain hose and ss clamps

*Recommended purchase of entire installation kit

Airgap is imported
7/8" hose made in U.S.A.



WARNING: Birth Defects, Reproductive Harm, and Cancer. www.p65warnings.ca.gov.