



PASCO Specialty & Mfg., Inc.

11156 Wright Road
Lynwood, CA 90262
Phone (310) 537-7782
Fax (800) 737-2726

7529 Perryman Court
Curtis Bay, MD 21226
Phone (410) 360-5010
Fax (877) 377-6466

www.pascospecialty.com

TECHNICAL SPECIFICATION SUBMITTAL

Cast iron backwater valve for rain water drains

Job Name _____ Date _____

Model Specified _____ Quantity _____

Customer/Wholesaler _____

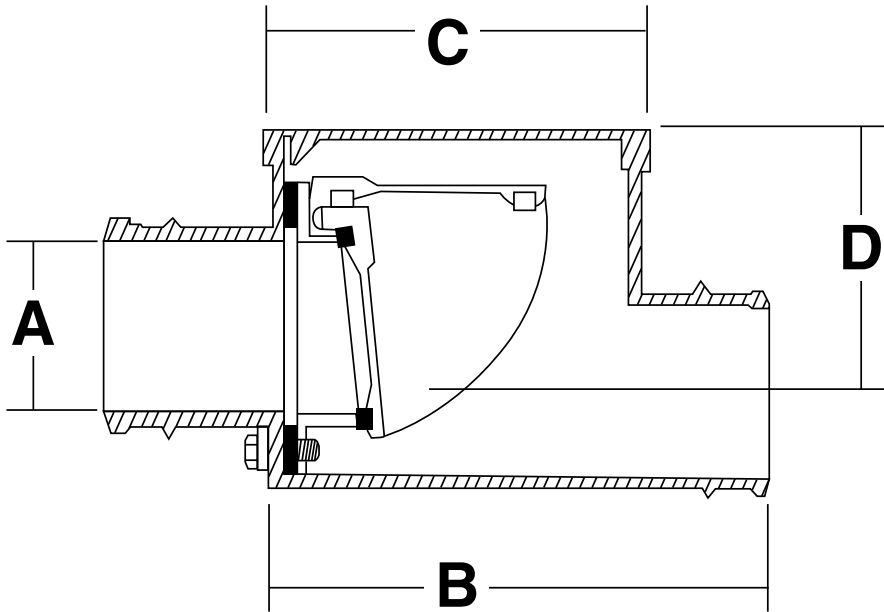
Contractor _____

Architect/Engineer _____

Engineering Specification: a gravity activated epoxy finished cast iron backwater valve for in ground burial as part of rain water run off systems.

**No Hub Connection Backwater Valve
for rain water drain system**

- Epoxy finish cast iron for corrosion protection
- 2" - 3" - 4" No hub connection
- Maintenance access cover with stainless steel bolts
- All brass flapper with neoprene rubber gasket
- * Requires at grade access for maintenance of flapper



PART NUMBER	PIPE SIZE A	B	C	D
11002	2"	7.677	5.78	3.779
11003	3"	8.625	6.75	4.625
11004	4"	9.625	7.75	5.125