



PASCO Specialty & Mfg., Inc.

11156 Wright Road
Lynwood, CA 90262
Phone (310) 537-7782
Fax (800) 737-2726

7529 Perryman Court
Curtis Bay, MD 21226
Phone (410) 360-5010
Fax (877) 377-6466

www.pascospecialty.com

TECHNICAL SPECIFICATION SUBMITTAL

Cast iron closet (toilet) flange with cast iron compression collar and neoprene gasket.

Job Name _____ Date _____

Model Specified _____ Quantity _____

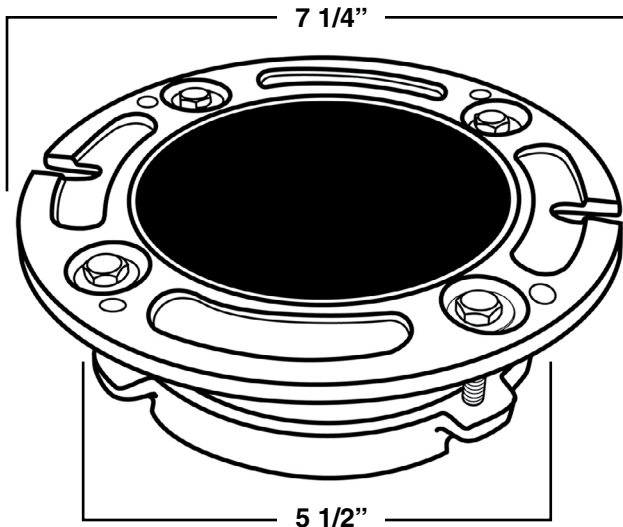
Customer/Wholesaler _____

Contractor _____

Architect/Engineer _____

Engineering Specification: Cast iron closet (toilet) drain floor flange with a compression style sealing gasket and test cap combination. Test cap is easily removed after plumbing inspection test.

Cast Iron Closet (toilet) Flange



- Fit cast iron, ABS, PVC, DWV
- Compression style neoprene rubber gasket
- Stainless steel clamping bolts
- Integral and removable test cap
- Corrosion resistant finish
- 2" - 3" - 4" depth at pipe connection
- Non-domestic manufacture

PART NUMBER	INLET OUTLET	OUTLET CONNECTION DEPTH
296	4"	2"
297	4"	3"
298	4"	4"

Complies:

- UPS section 316.1.5 - 316.3 - 704.4.1 - 705.1.6