



PASCO Specialty & Mfg., Inc.

11156 Wright Road
Lynwood, CA 90262
Phone (310) 537-7782
Fax (800) 737-2726

7529 Perryman Court
Curtis Bay, MD 21226
Phone (410) 360-5010
Fax (877) 377-6466

www.pascospecialty.com

TECHNICAL SPECIFICATION SUBMITTAL

Enameled cast iron floor sink for commercial, food service and institutional installations.

Job Name _____ Date _____

Model Specified _____ Quantity _____

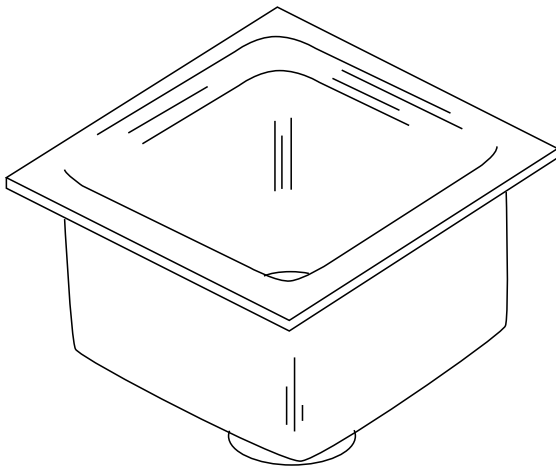
Customer/Wholesaler _____

Contractor _____

Architect/Engineer _____

Engineering Specification: An enameled cast iron floor sink to be installed in concrete floors in commercial, flood service, medical and institutional facilities.

Enameled Cast Iron Floor Sink

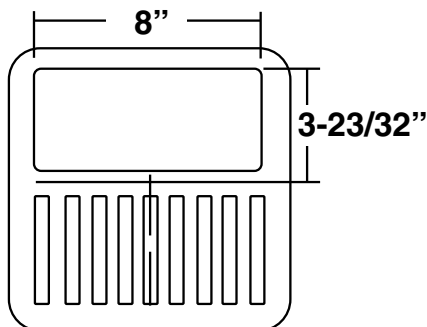


- 2" - 3" - 4" DWV NO HUB Coupling outlet
- 12" x 12" outside dimension
- 6" inside depth
- Supplied with removable aluminum dome strainer

PART NUMBER	DESCRIPTION
55112	2"
55113	3"
55114	4"

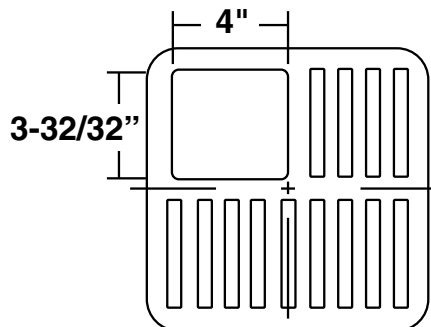
Enameled Cast Iron Floor Sink Grates

1/2 GRID



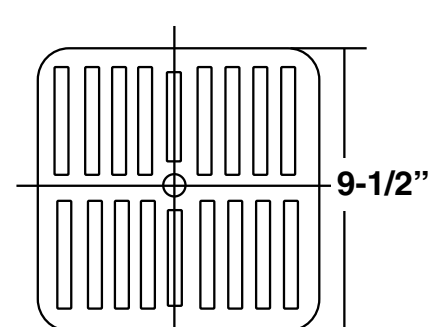
Part Number 55050

3/4 GRID



Part Number 55075

FULL GRID



Part Number 55010