

**PASCO**

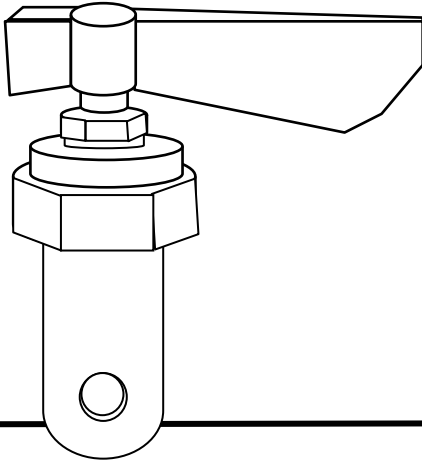
## July Special



Two Sizzling Products with Even Hotter Prices!

# Complete Hot & Cold Stem Assemblies

For PASCO 330 Series Faucets



- Also Fits T & S Brass Faucets
- Complete with Handle, Cap Nut, Stem and Barrel
  - Solid Brass Construction
  - Includes Stem Check

(Replaces T & S Brass Part Numbers 002712-40 Hot/002711-40 Cold)



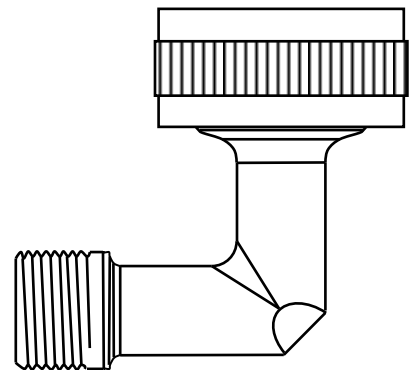
PART NUMBER	DESCRIPTION
33028-A	Hot Stem Assembly
33027-A	Cold Stem Assembly

## Dishwasher Hook-Up 90° Elbow

For Whirlpool, Maytag, Amana, Kitchen Aid and Jenn-Air Dishwashers  
Manufactured After September 2009.

- $\frac{3}{4}$ " Hose Thread Swivel Makes It Easier To Align
- One Piece Forged Brass Fitting
- High Temperature Resistant Washer
- $\frac{3}{8}$ " O.D. Compression x  $\frac{3}{4}$ " Garden Hose Swivel

PART NUMBER	DESCRIPTION
506	Dishwasher Elbow Fitting



Lynwood, CA 90262  
(310) 537-7782  
fax (800) 737-2726

[www.pascospecialty.com](http://www.pascospecialty.com)

Special Runs Thru August 24, 2010

Curtis Bay, MD 21226  
(410) 360-5010  
fax (877) 377-6466